

FLG Stadium Light Datasheet



Key Features

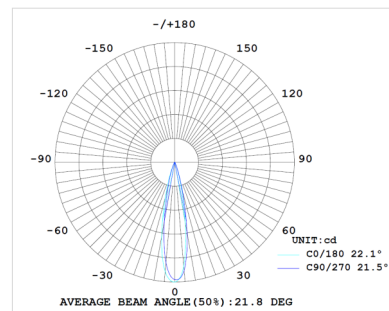
- ⇒ **Efficacy:** Up to 160 lm/w
- ⇒ **LED Chip:** SMD5050
- ⇒ **SDCM:** <5
- ⇒ **Beam Angle:** 20° | 40° | 60° PC lens
- ⇒ **IP Rating:** IP65
- ⇒ **Controls:** 1-10V(optional)
- ⇒ **Installation:** U Type Bracket | Round Bracket | Pole
- ⇒ **Certifications:** CE, RoHS, SAA
- ⇒ **Warranty:** 7 years

Application

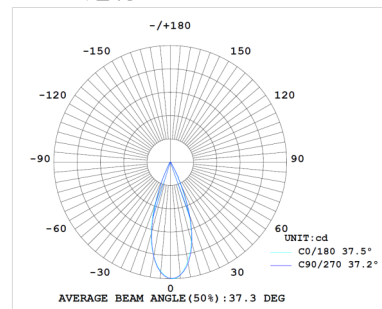
Large stadium, all kinds of large stadium, ships, squares, docks, airports, commercial sites, overpass, outdoor advertising, landmarks and other large panoramic lighting.

Photometry

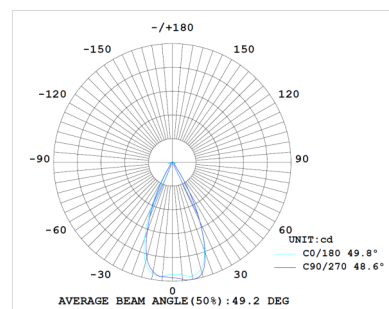
20° PC透镜



40° PC透镜



60° PC透镜



FLG Stadium Light Datasheet

Product Data

Model No.	KML-FL200G	KML-FL240G	KML-FL400G	KML-FL500G	KML-FL600G	KML-FL700G	KML-FL800G	KML-FL1000G
Power	200W	240W	400W	500W	600W	700W	800W	1000W
Lumen Output	32,000 lm	38,400 lm	64,000 lm	80,000 lm	96,000 lm	112,000 lm	128,000 lm	160,000 lm
Luminous Efficacy	160 lm/w							
CCT	3000K 4000K 5000K 5700K 6500K							
CRI	Ra≥70 (Ra≥80 optional)							
Input Voltage	100-277 VAC 220-240 VAC; 50 60 Hz							
Housing Color	Black & Silver							
Housing Material	Die-cast Aluminum, PC							
Operating Temperature	-40°C to +50°C							
Operating Humidity	10% to 90% RH							
Lifespan	100,000hours							
Warranty	7 years							

ErP Technical Specification

Item	Specification/Data
Efficiency In	>90%
Power Factor	PF>0.90
Energy Efficiency Class	D
Standard Deviation of Color Matching	<5
Starting Time	<0.2S
Warm-up Time to 60%	<0.5S
Lumen Maintenance at e.o.l.	>70%
Lifetime	L70/B10@100,000hours

**Note: 1. The above parameters will have errors within the allowable range of relevant standards.
2. This specification book is for reference only. We retains the right to optimize and modify without pre -notification!**






www.kmlled.com

Add: Room 901, Building A, FuBiLun Industrial Park, ChaoYang Road, YanChuan Community, YanLuo Street, Bao'an, ShenZhen City, China.

FLG Stadium Light Datasheet

Mounting & Accessories (optional)

	Round Bracket
	Model No.: FLG-YZ Black; Die-cast Aluminum
	U Type Bracket
	Model No.: FLG-UZ Black; Steel
	Round Pole(Ø60mm)
	Model No.: FLG-RP Black; Die-cast Aluminum

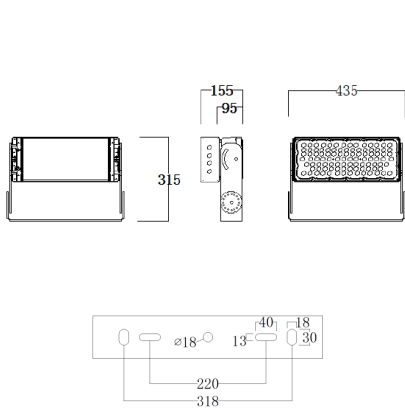
Packaging

Model No.	PCS/CTN	N.W	G.W	Volumetric Weight	Carton Size and Volume	20GP(28m ³)	40HC/HQ (68m ³)
KML-FL200G	1	9.0 kg	9.8 kg	10.0 kg	L440xW495xH230 mm ≈ 0.050 m ³	560 CTNS	1,360 CTNS
KML-FL240G	1	9.2 kg	10.0 kg	10.0 kg	L440xW495xH230 mm ≈ 0.050 m ³	560 CTNS	1,360 CTNS
KML-FL400G	1	14.2 kg	15.5 kg	14.0 kg	L620xW495xH230 mm ≈ 0.071 m ³	394 CTNS	957 CTNS
KML-FL500G	1	14.5 kg	15.8 kg	14.0 kg	L620xW495xH230 mm ≈ 0.071 m ³	394 CTNS	957 CTNS
KML-FL600G	1	21.0 kg	22.5 kg	18.0 kg	L800xW495xH230 mm ≈ 0.091 m ³	307 CTNS	747 CTNS
KML-FL700G	1	21.3 kg	22.8 kg	18.0 kg	L800xW495xH230 mm ≈ 0.091 m ³	307 CTNS	747 CTNS
KML-FL800G	1	28.0 kg	30.0 kg	22.3 kg	L980xW495xH230 mm ≈ 0.112 m ³	250 CTNS	607 CTNS
KML-FL1000G	1	29.0 kg	31.0 kg	22.3 kg	L980xW495xH230 mm ≈ 0.112 m ³	250 CTNS	607 CTNS

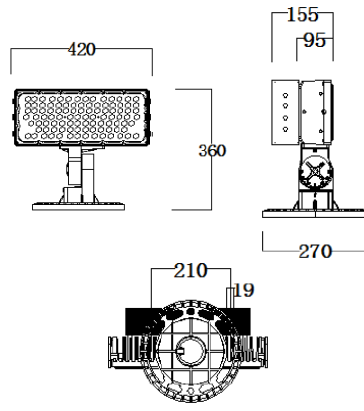
Remarks: The weight of the above products is for reference only, and the weight of different configuration products will be different.

FLG Stadium Light Datasheet

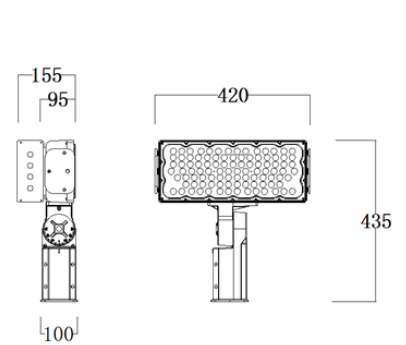
Dimension (unit: mm)



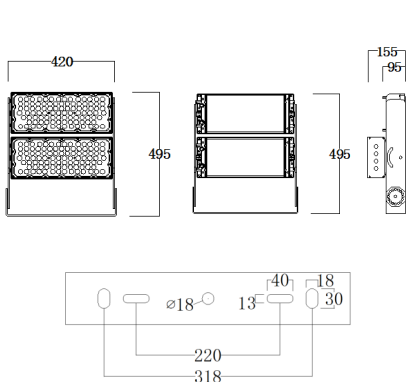
KML-FL200G/KML-FL240G (U Type Bracket)



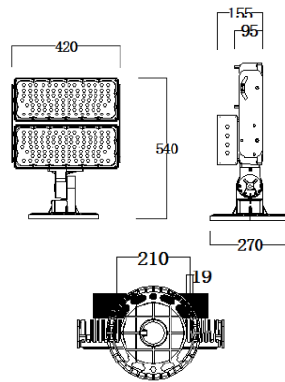
KML-FL200G/KML-FL240G (Round Bracket)



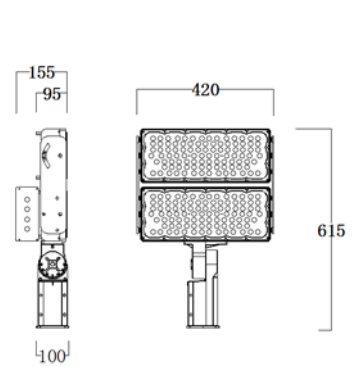
KML-FL200G/KML-FL240G (Round Pole)



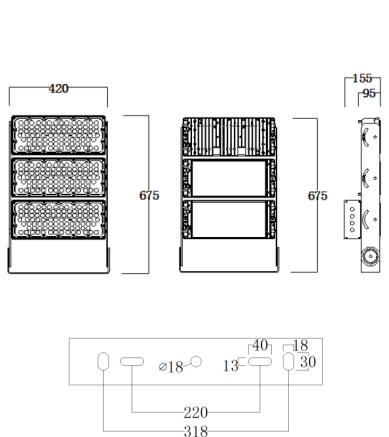
KML-FL400G/KML-FL500G (U Type Bracket)



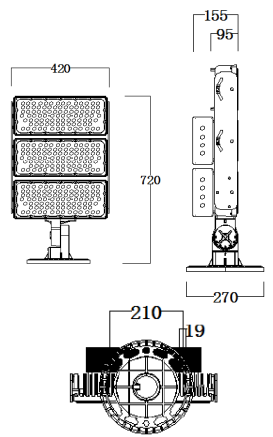
KML-FL400G/KML-FL500G (Round Bracket)



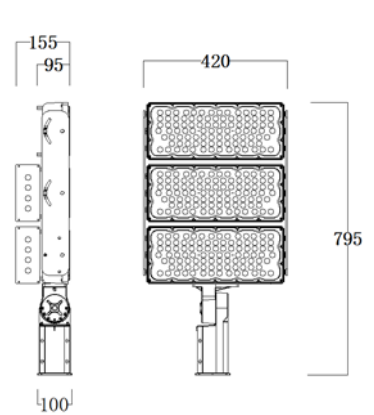
KML-FL400G/KML-FL500G (Round Pole)



KML-FL600G/KML-FL700G (U Type Bracket)



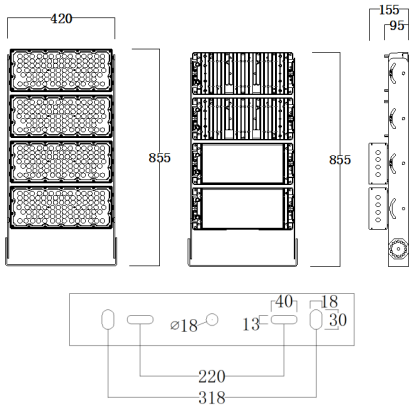
KML-FL600G/KML-FL700G (Round Bracket)



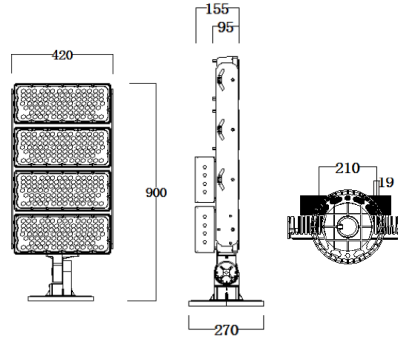
KML-FL600G/KML-FL700G (Round Pole)

FLG Stadium Light Datasheet

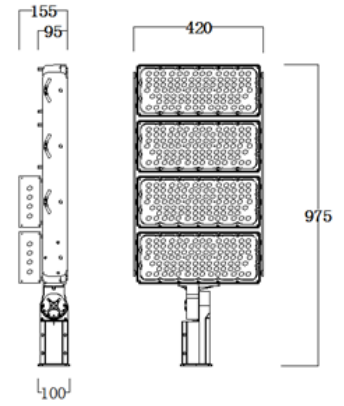
Dimension (unit: mm)



KML-FL800G/KML-FL1000G (U Type Bracket)



KML-FL800G/KML-FL1000G (Round Bracket)



KML-FL800G/KML-FL1000G (Round Pole)