

FLG Stadium Light Datasheet



Key Features

Efficacy: Up to 160 lm/w

LED Chip: LUMILEDS

SDCM: <5

LED Driver: Meanwell/SOSEN

Beam Angle: 20°/40°/60° PC lens

IP/IK Rating: IP66/IK10

Controls: 1-10V(optional)

Installation: U Type Bracket/Round Bracket/Pole

Certifications: CE, RoHS, SAA

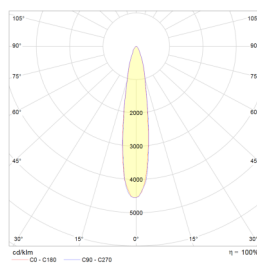
Warranty: 7 years

Application

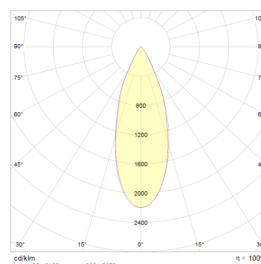
Large stadium, all kinds of large stadium, ships, squares, docks, airports, commercial sites, overpass, outdoor advertising, landmarks and other large panoramic lighting.

Photometry

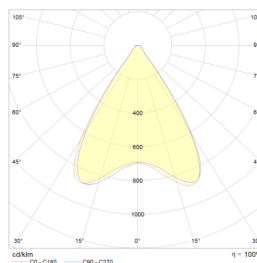
20° PC lens



40° PC lens



60° PC lens



FLG Stadium Light Datasheet

Product Data

SKU	KML-FL200G	KML-FL240G	KML-FL400G	KML-FL500G	KML-FL600G	KML-FL700G	KML-FL800G	KML-FL1000G
Wattage	200W	240W	400W	500W	600W	700W	800W	1000W
Lumen Output	32,000 lm	38,400 lm	64,000 lm	80,000 lm	96,000 lm	112,000 lm	128,000 lm	160,000 lm
Luminous Efficacy	160 lm/w							
CCT	3000K/4000K/5000K/5700K/6500K							
CRI	Ra≥70 (Ra≥80 optional)							
Input Voltage	100-277 VAC / 220-240 VAC							
Housing Color	Black/Silver							
Housing Material	Die-cast Aluminum, PC							
Operating Temperature	-40°C to +50°C							
Operating Humidity	10% to 90% RH							
Lifespan	100,000hours							
Warranty	7 years							

ErP Technical Specification

Item	Specification/Data
Efficiency In	>93%
Power Factor	PF>0.90
Energy Efficiency Class	A++
Standard Deviation of Color Matching	<5
Starting Time	<0.2S
Warm-up Time to 60%	<0.5S
Lumen Maintenance at e.o.l.	>70%
Lifetime	L70/B10@100,000hours


Effective Projected Area (EPA=SCx)

unit: m²

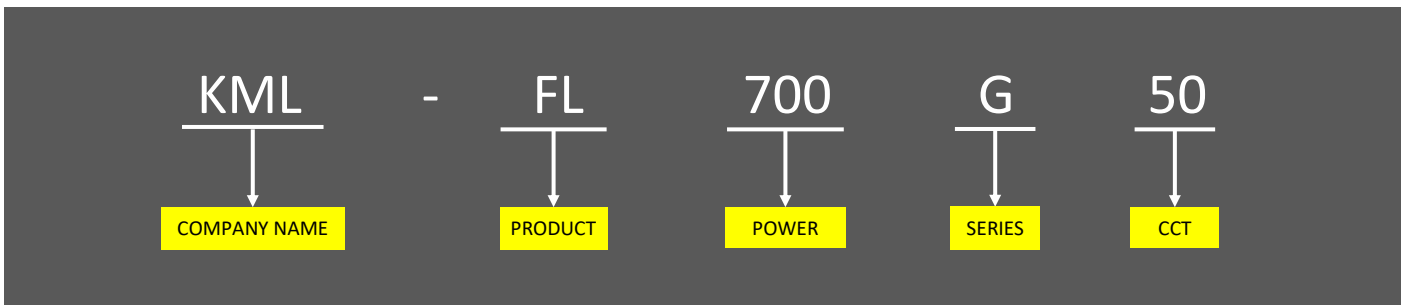
Model/Tilt angle	0°	10°	20°	30°	45°	60°	90°
200W/240W	0.032	0.029	0.040	0.044	0.050	0.053	0.063
400W/500W	0.056	0.095	0.091	0.096	0.098	0.106	0.141
600W/700W	0.056	0.095	0.081	0.097	0.105	0.136	0.185
800W/1000W	0.082	0.106	0.128	0.157	0.182	0.228	0.335

FLG Stadium Light Datasheet

Mounting & Accessories (optional)

	Round Bracket SKU: FLG-YZ Black; Die-cast Aluminum
	U Type Bracket SKU: FLG-UZ Black; Steel
	Round Pole(Ø60mm) SKU: FLG-RP Black; Die-cast Aluminum

Ordering Information

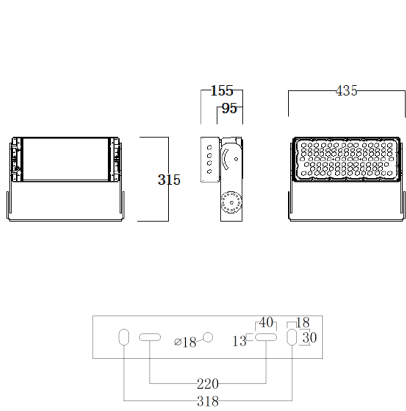


Packaging

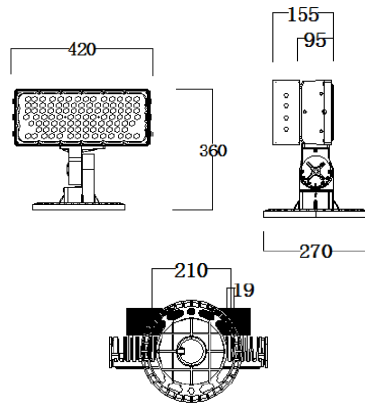
SKU	PCS/CTN	Net Weight	Gross/Volumetric Weight	CBM	20' GP	40' GP
KML-FL200G	1	9.0 kg	12.0 kg	L440xW495xH230 mm ≈ 0.060 m ³	460 CTNs	1130 CTNs
KML-FL240G	1	9.2 kg	12.0 kg	L440xW495xH230 mm ≈ 0.060 m ³	460 CTNs	1130 CTNs
KML-FL400G	1	14.2 kg	17.0 kg	L620xW495xH230 mm ≈ 0.083 m ³	330 CTNs	810 CTNs
KML-FL500G	1	14.5 kg	17.0 kg	L620xW495xH230 mm ≈ 0.083 m ³	330 CTNs	810 CTNs
KML-FL600G	1	21.0 kg	23.0 kg	L800xW495xH230 mm ≈ 0.107 m ³	260 CTNs	630 CTNs
KML-FL700G	1	21.3 kg	23.5 kg	L800xW495xH230 mm ≈ 0.107 m ³	260 CTNs	630 CTNs
KML-FL800G	1	28.0 kg	31.0 kg	L980xW495xH230 mm ≈ 0.130 m ³	210 CTNs	520 CTNs
KML-FL1000G	1	29.0 kg	32.0 kg	L980xW495xH230 mm ≈ 0.130 m ³	210 CTNs	520 CTNs

FLG Stadium Light Datasheet

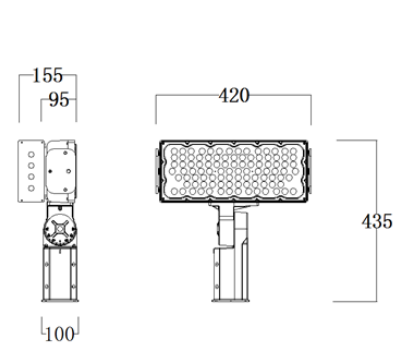
Dimension (unit: mm)



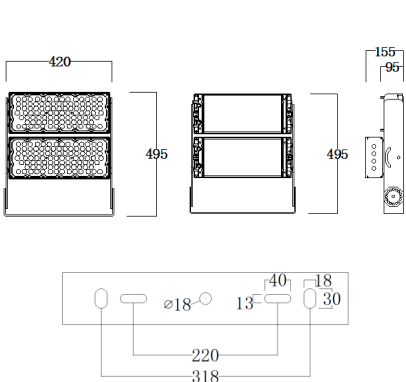
KML-FL200G/KML-FL240G (U Type Bracket)



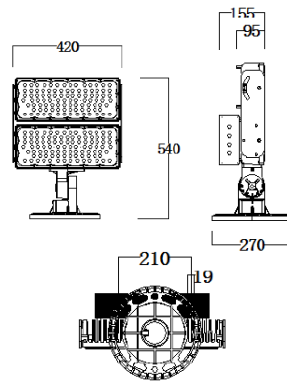
KML-FL200G/KML-FL240G (Round Bracket)



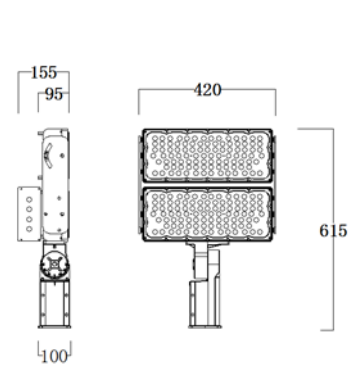
KML-FL200G/KML-FL240G (Round Pole)



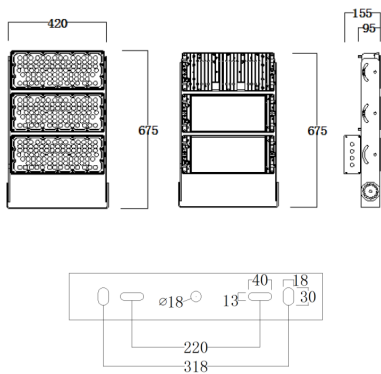
KML-FL400G/KML-FL500G (U Type Bracket)



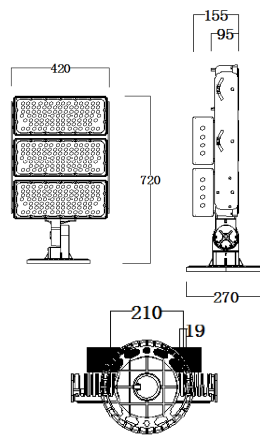
KML-FL400G/KML-FL500G (Round Bracket)



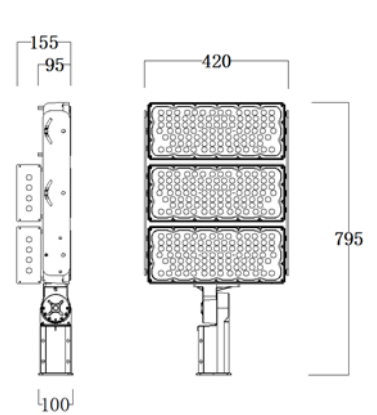
KML-FL400G/KML-FL500G (Round Pole)



KML-FL600G/KML-FL700G (U Type Bracket)



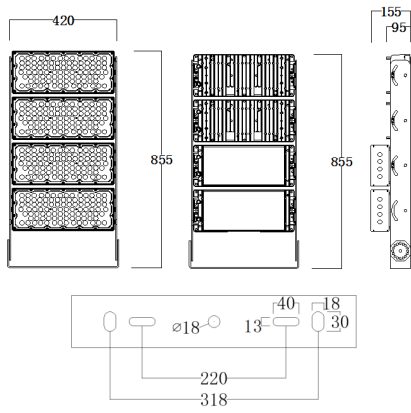
KML-FL600G/KML-FL700G (Round Bracket)



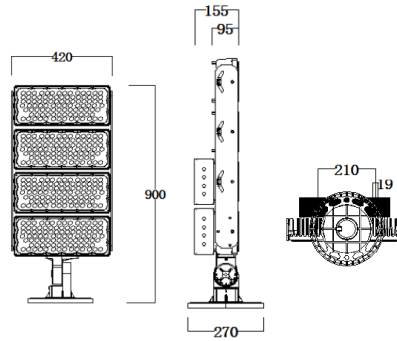
KML-FL600G/KML-FL700G (Round Pole)

FLG Stadium Light Datasheet

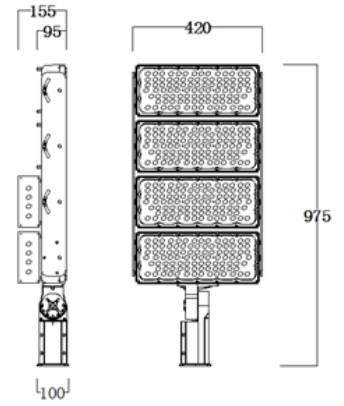
Dimension (unit: mm)



KML-FL800G/KML-FL1000G (U Type Bracket)



KML-FL800G/KML-FL1000G (Round Bracket)



KML-FL800G/KML-FL1000G (Round Pole)